



■ NEMOTEQ is proud to offer the 08 Nm spring return damper actuators of the NAFA...08(S) series designed specifically for applications in the HVAC market.

■ NEMOTEQ high quality spring return damper actuators have been designed to operate air dampers and characterised ball valves with the use of special adapter.

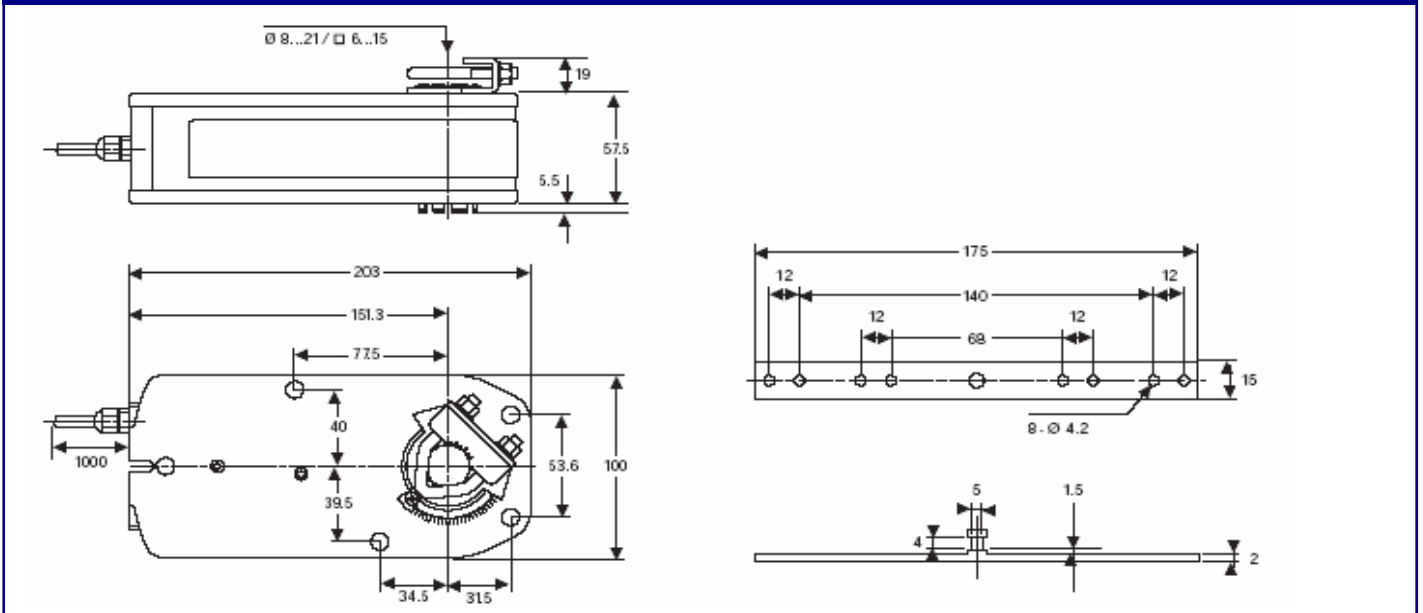
## Product Features

- Torque of 8 Nm
- 2 point On/Off control
- Universal adapter for easy direct mounting
- Shaft dimension Ø 8 ...21 mm / 6...15 mm square
- Anti -rotation bracket provided for stability
- Manual over ride by crank handle when required
- 40 mm minimum shaft length
- Adjustable angle of rotation, mechanical end stops
- Power supply 24VAC/DC, 230VAC
- 1 adjustable SPDT auxiliary switches when requested
- Actuators available with 1m cable connection
- Customised version available on request

## Model Selection Table

Torque	Running Time	Power Supply	Auxiliary Switches	Model/Type
8 Nm	70 sec	24 VAC/DC ±10%	No	NAFA 1-08
	Springback < 25 sec.		1 x SPDT	NAFA 1-08S
8 Nm	70 sec	230VAC ±10%	No	NAFA 2-08
	Springback < 25 sec		1 x SPDT	NAFA 2-08S

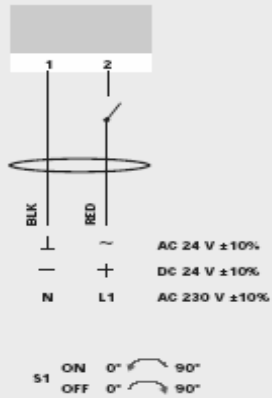
## Actuator Dimension (mm)



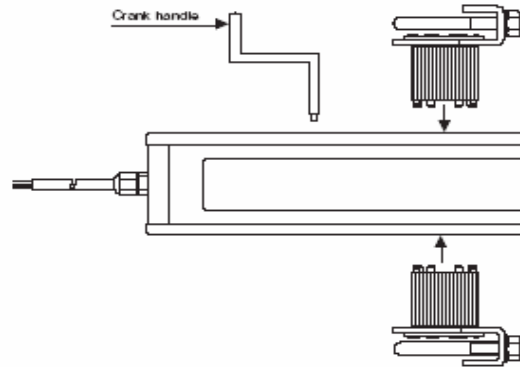
## Technical Specification

	NAFA1-08(S)	NAFA2-08(S)
Torque	8 Nm	8 Nm
Damper Size	1.5 m <sup>2</sup>	1.5 m <sup>2</sup>
Power Supply	24 VAC/VDC	230 VAC
Frequency	50...60 Hz	50...60 Hz
Power Consumption		
- Operating	7,0 W	8,0 W
- At the end stops	2,0 W	5,5 W
For wire sizing	VA	VA
Auxiliary switch rating (Amp and Volta-	3(1,5) A / 230 VAC	3(1,5) A / 230 VAC
Protection class	II	II
Control Signals	2 point On/Off	2 point On/Off
Angle of Rotation	-5...+90° (mechanical)	-5...+90° (mechanical)
Angle Limiting	Mechanical end stops	Mechanical end stops
Weight approx.	2,2 kg	2.3 kg
Life Cycle	60,000 rotation	60,000 rotation
Sound Level	Max. 45 dB(A)	Max. 45 dB(A)
IP Protection	IP54	IP54
Ambient Temperature	-20°...50°C / IEC 721-3-3	-20°...50°C / IEC 721-3-3
Ambient Humidity	5...95% rH non condensing	5...95% rH non condensing
Inventory Temperature	-30...+60°C / IEC 721-3-2	-30...+60° C / IEC 721-3-2
Maintenance	maintenance free	maintenance free
Certification	89/336/CE	89/336/CE
Impact	Type I/EN 60730-1	Type I/EN 60730-1

### Wiring diagram NAFA...08

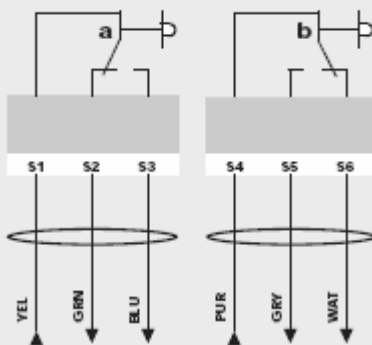


### Changing direction of rotation



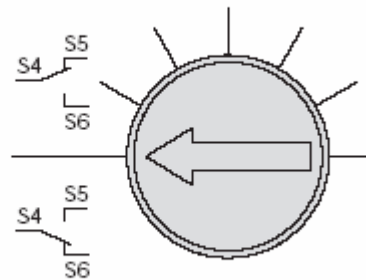
24VAC/DC: Connect via safety isolating transformer.  
230 VAC: To isolate from the main power supply, the system must incorporate a device which disconnects the phase conductors (with at least a 3 mm contact gap).

### Auxiliary switches (S)



### Auxiliary switch adjustment NAFA...08(S) Switch a Factory set at 5°

Switch b adjustable 40°...90°

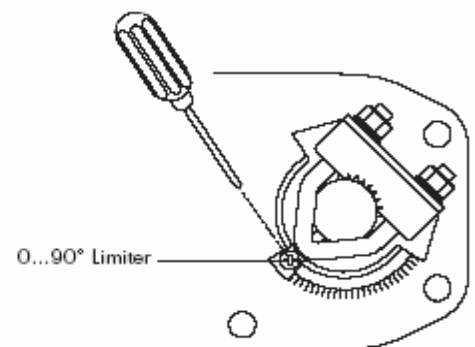


Built-in Microswitch Adjustment (for NAFA...).  
Move the screw of the microswitch.

### Angle-of-rotation limiting

Mechanical Limited Adjustment

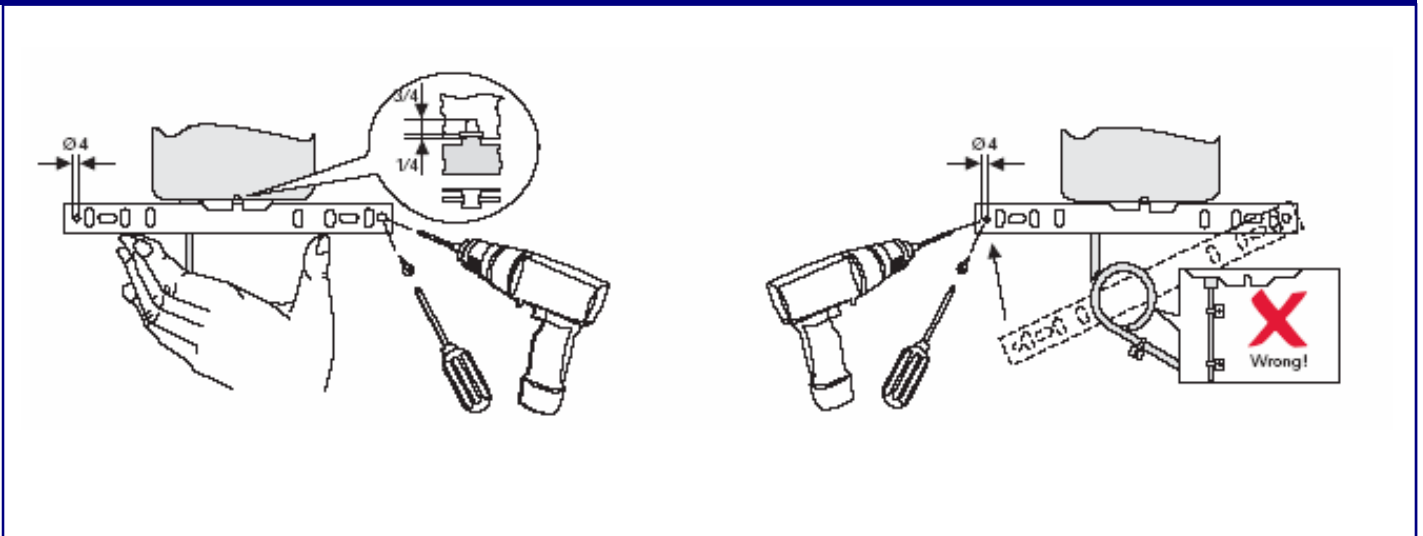
1. Loosen screw of the mechanical limited.
2. Move the limited to the appropriate position.
3. Tighten on the screw.



## OEM - customised version

NEMOTEQ is also able to offer the actuators in a customised version on request. Please contact us for further information.

## Installation / Mounting



### NEMOTEQ

Business unit of  
ELESTA building automation

### SALES & MARKETING

Werner von Siemens Straße 19  
D-49124 Georgsmarienhütte  
Phone: + 49 5401-34 70 41  
Fax: + 49 5401-34 70 42  
e-mail: [sales@nemoteq.com](mailto:sales@nemoteq.com)  
[www.nemoteq.com](http://www.nemoteq.com)

### NEMOTEQ

Business unit of  
ELESTA building automation

### LOGISTICS

Gottlieb-Daimler Straße 1  
D-78467 Konstanz  
Phone: + 49 (0)7531 987 -0  
Fax: + 49 (0)7531 987 200  
e-mail: [logistics@nemoteq.com](mailto:logistics@nemoteq.com)  
[www.nemoteq.com](http://www.nemoteq.com)